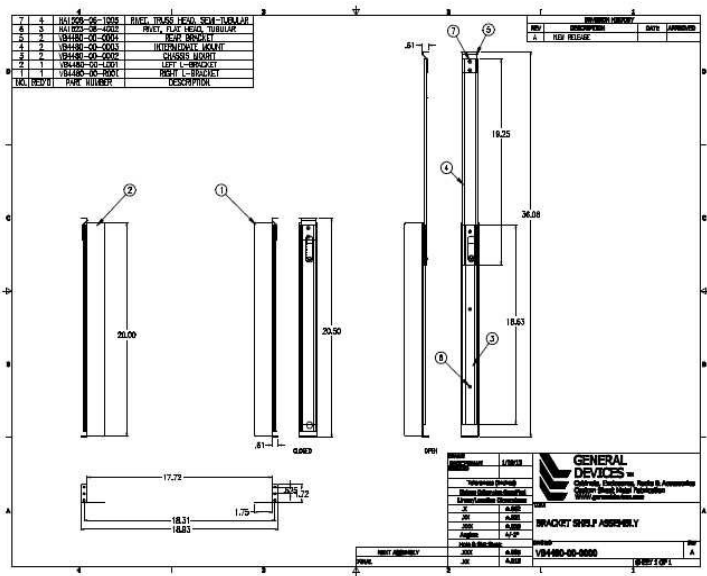
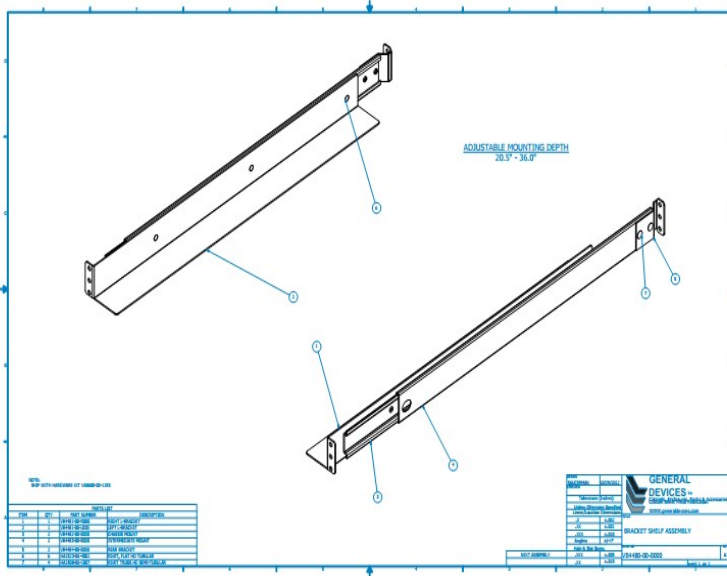


NEW

**Adjustable Mounting Depths
Fixed Support Brackets**

Rugged and Dependable — General Devices Adjustable Mounting Support Brackets are constructed of steel. They offer users the ability to mount and access non-rack mountable equipment. The chassis support angle permits immediate removal of a chassis or any piece of equipment. This is an economical angle chassis support for use where it is not necessary, or desirable to have a slide support installed. Mounts easily to the front and rear cabinet rails to provide full chassis depth and mounting support.



Features/Benefits



- Provides fast, easy, and secure access
- 100 pound load capacity evenly distributed
- 1U Low Profile Vertical Rack Mounting
- Smooth sliding adjustable mounting depths
- Black Powder Coat Paint
- Other color options available upon request
- Proudly Made in the USA

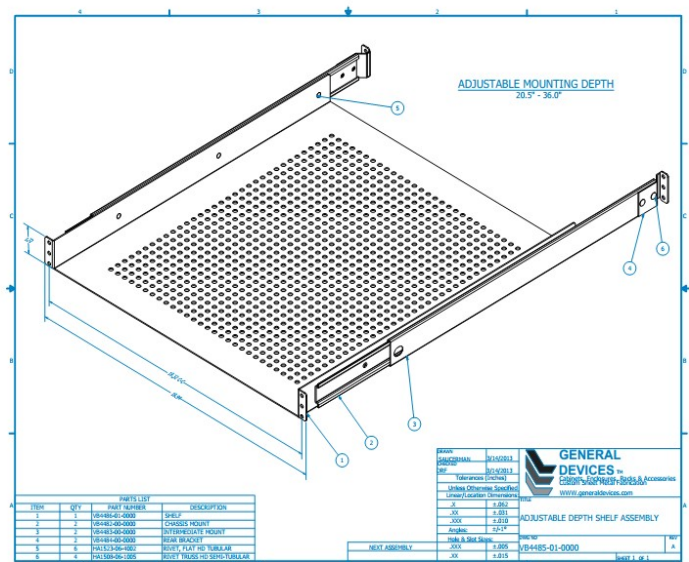
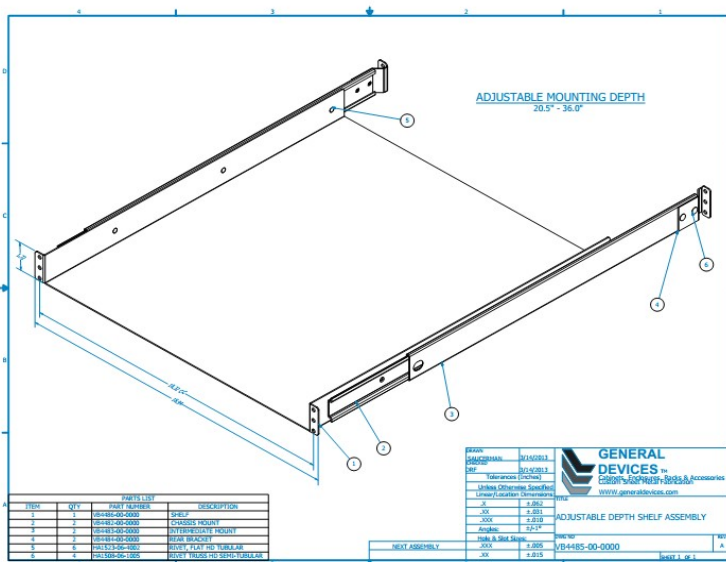
Call General Devices Co., Inc. Today
 (317) 897-7000 • Fax (317) 898-2917
 1410 South Post Road, Indianapolis, Indiana 46239
 ISO 9001:2008 Registered
www.generaldevices.com



NEW

**Adjustable Mounting Depths
Fixed Shelf Assembly**

Rugged and Dependable — General Devices Adjustable Mounting Shelves are constructed of steel. They offer users the ability to mount and access non-rack mountable equipment. The adjustable shelf permits immediate removal of a chassis or any piece of equipment. Mounts easily to front and rear cabinet rails to provide full chassis and equipment depth and mounting support.



Features/Benefits

- Provides fast, easy, and secure access
- 100 pound load capacity evenly distributed
- 1U Low Profile Vertical Rack Mounting
- Smooth sliding adjustable mounting depths
- Black Powder Coat Paint
- Other color options available upon request
- Proudly Made in the USA

Call General Devices Co., Inc. Today

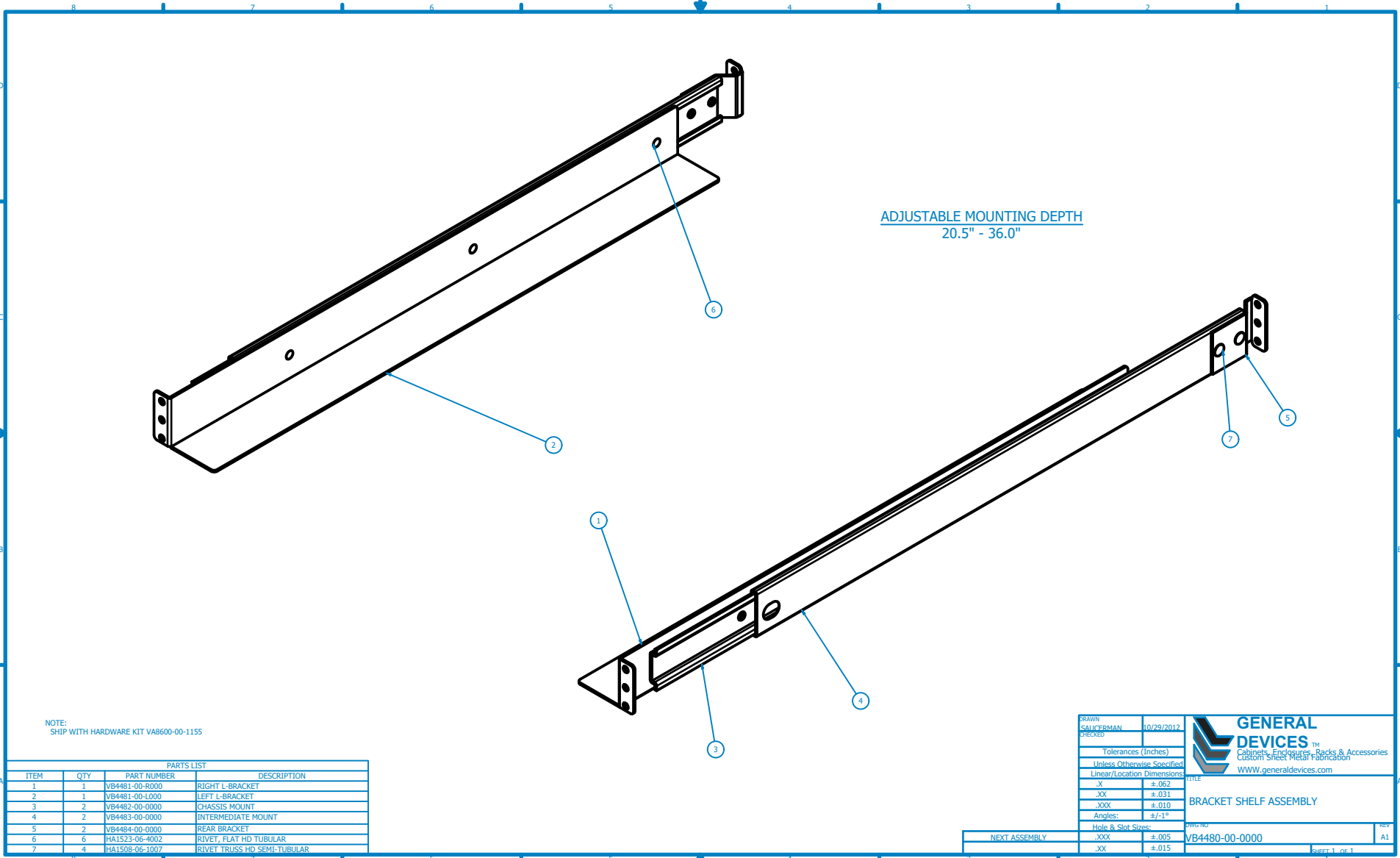
(317) 897-7000 • Fax (317) 898-2917

1410 South Post Road, Indianapolis, Indiana 46239

ISO 9001:2008 Registered

www.generaldevices.com






ADJUSTABLE MOUNTING DEPTH
20.5" - 36.0"

NOTE:
SHIP WITH HARDWARE KIT VA8600-00-1155

| PARTS LIST | | | |
|------------|-----|----------------|-----------------------------|
| ITEM | QTY | PART NUMBER | DESCRIPTION |
| 1 | 1 | VB4481-00-R000 | RIGHT L-BRACKET |
| 2 | 1 | VB4481-00-L000 | LEFT L-BRACKET |
| 3 | 2 | VB4482-00-0000 | CHASSIS MOUNT |
| 4 | 2 | VB4483-00-0000 | INTERMEDIATE MOUNT |
| 5 | 2 | VB4484-00-0000 | REAR BRACKET |
| 6 | 6 | HA1523-06-4002 | RIVET, FLAT HD TUBULAR |
| 7 | 4 | HA1508-06-1007 | RIVET TRUSS HD SEMI-TUBULAR |

| | | |
|----------------------------|------------|---------------------------------------------------------------------------------------------------------------------------------------------------------------------------------------------------------------------------------------------------------------------------------------|
| DRAWN SAUERMAN | 10/29/2012 |  GENERAL DEVICES <small>™</small> Cabinets, Enclosures, Racks & Accessories Custom Sheet Metal Fabrication www.generaldevices.com |
| CHECKED | | |
| Tolerances (Inches) | | TITLE BRACKET SHELF ASSEMBLY |
| Unless Otherwise Specified | | |
| Linear/Location Dimensions | | |
| .X | ±.062 | |
| .XX | ±.031 | |
| .XXX | ±.010 | |
| Angles: | ±.1° | |
| Hole & Slot Sizes: | | DWG NO VB4480-00-0000 |
| .XXX | ±.005 | |
| .XX | ±.015 | |
| NEXT ASSEMBLY | | REV A1 |
| | | SHEET 1 OF 1 |