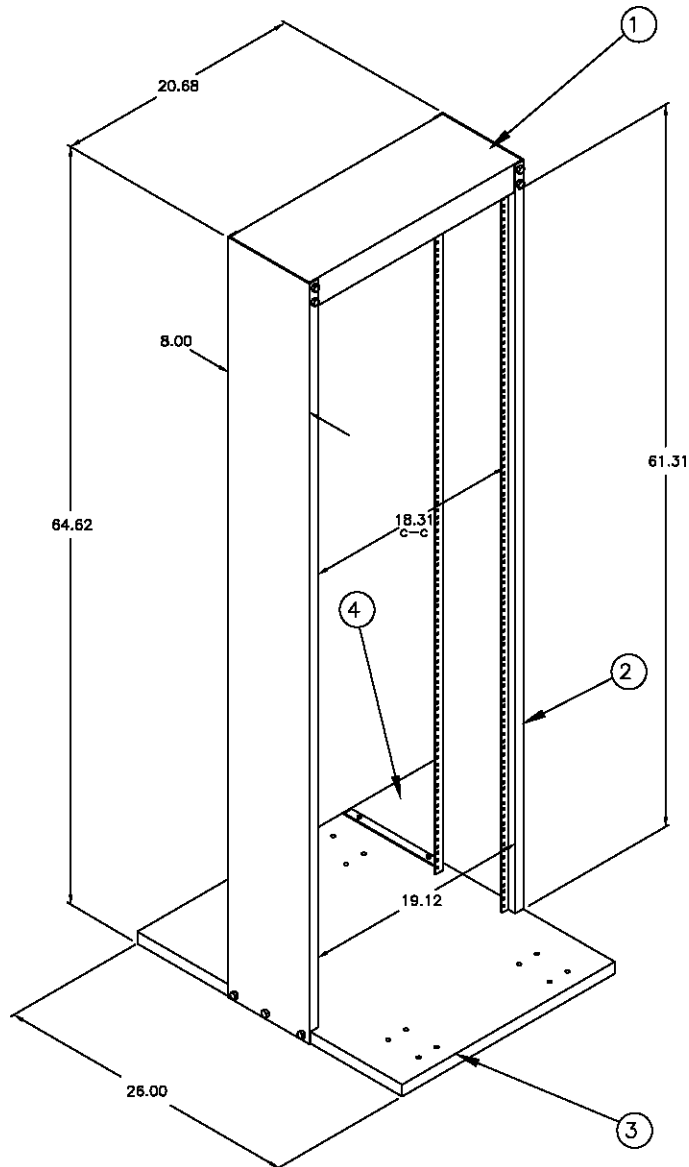


2600 Relay Rack

Knock-Down Floor/Caster Mounted



The 2600 Relay Rack is a perfect compliment to the 6200 Rack. Ideal for monitors, video editors, power supplies, tape machines and more. The 2600 is also available with optional casters.



Notes

1. Cap is made of 12 gauge C.R.S.
2. Uprights (1 pair) made from 12 gauge C.R.S. with #10-32 tapped holes per EIA RS-310 specs. on 18.31" center to center.
3. Base weldment (12 gauge C.R.S.)
4. Two Gussets (12 gauge C.R.S.)
5. Finish: Painted standard #26440 gray.
6. Model 2600 is shipped unassembled.
7. Optional casters (set of 4) are available.