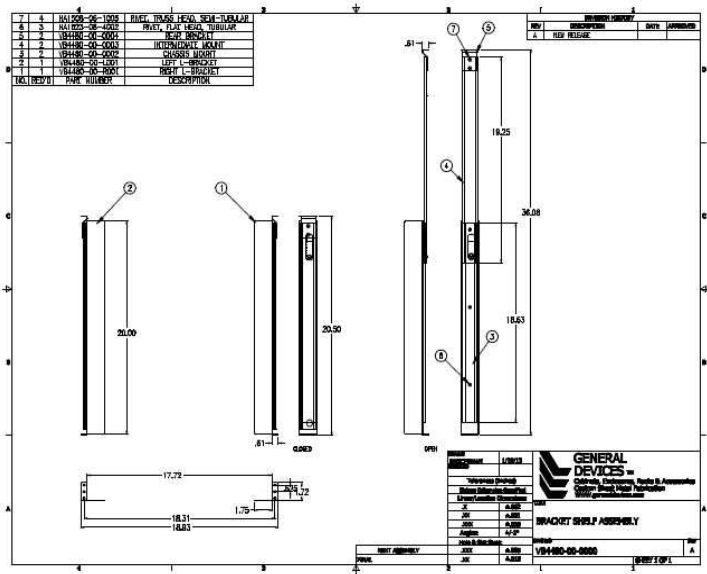
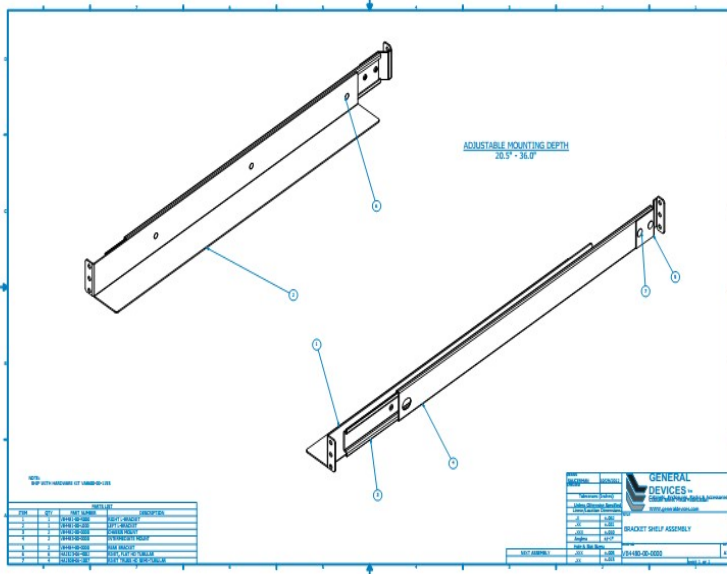




**Adjustable Mounting Depths  
Fixed Support Brackets**

Rugged and Dependable — General Devices Adjustable Mounting Support Brackets are constructed of steel. They offer users the ability to mount and access non-rack mountable equipment. The chassis support angle permits immediate removal of a chassis or any piece of equipment. This is an economical angle chassis support for use where it is not necessary, or desirable to have a slide support installed. Mounts easily to the front and rear cabinet rails to provide full chassis depth and mounting support.



**Features/Benefits**



- Provides fast, easy, and secure access
- 100 pound load capacity evenly distributed
- 1U Low Profile Vertical Rack Mounting
- Smooth sliding adjustable mounting depths
- Black Powder Coat Paint
- Other color options available upon request
- Proudly Made in the USA

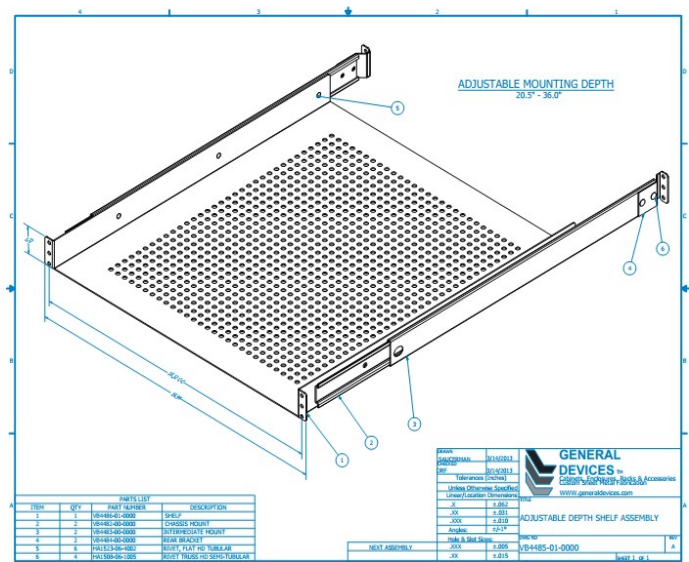
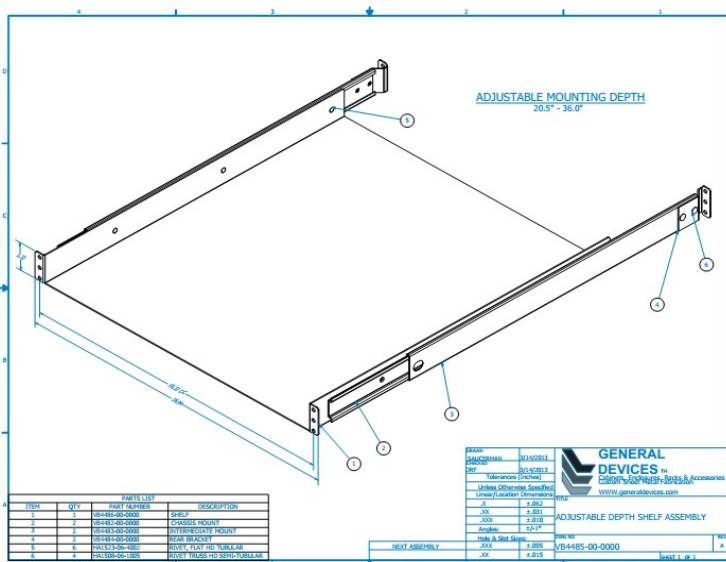
**Call General Devices Co., Inc. Today**  
 (317) 897-7000 • Fax (317) 898-2917  
 1410 South Post Road, Indianapolis, Indiana 46239  
 ISO 9001:2008 Registered  
[www.generaldevices.com](http://www.generaldevices.com)



**NEW**

**Adjustable Mounting Depths  
Fixed Shelf Assembly**

Rugged and Dependable — General Devices Adjustable Mounting Shelves are constructed of steel. They offer users the ability to mount and access non-rack mountable equipment. The adjustable shelf permits immediate removal of a chassis or any piece of equipment. Mounts easily to front and rear cabinet rails to provide full chassis and equipment depth and mounting support.



**Features/Benefits**



- Provides fast, easy, and secure access
- 100 pound load capacity evenly distributed
- 1U Low Profile Vertical Rack Mounting
- Smooth sliding adjustable mounting depths
- Black Powder Coat Paint
- Other color options available upon request
- Proudly Made in the USA

**Call General Devices Co., Inc. Today**

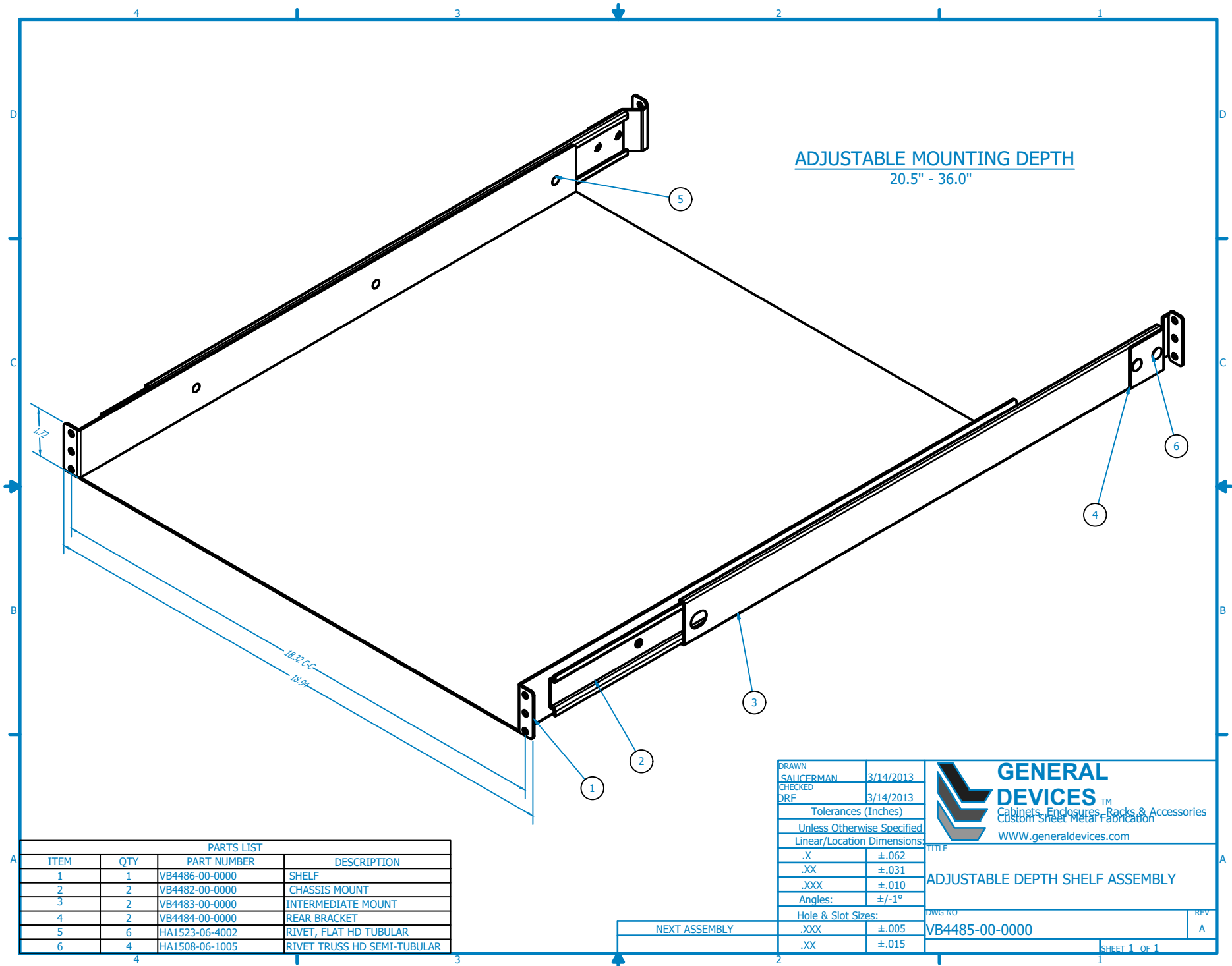
(317) 897-7000 • Fax (317) 898-2917

1410 South Post Road, Indianapolis, Indiana 46239

ISO 9001:2008 Registered

[www.generaldevices.com](http://www.generaldevices.com)





**ADJUSTABLE MOUNTING DEPTH**  
20.5" - 36.0"

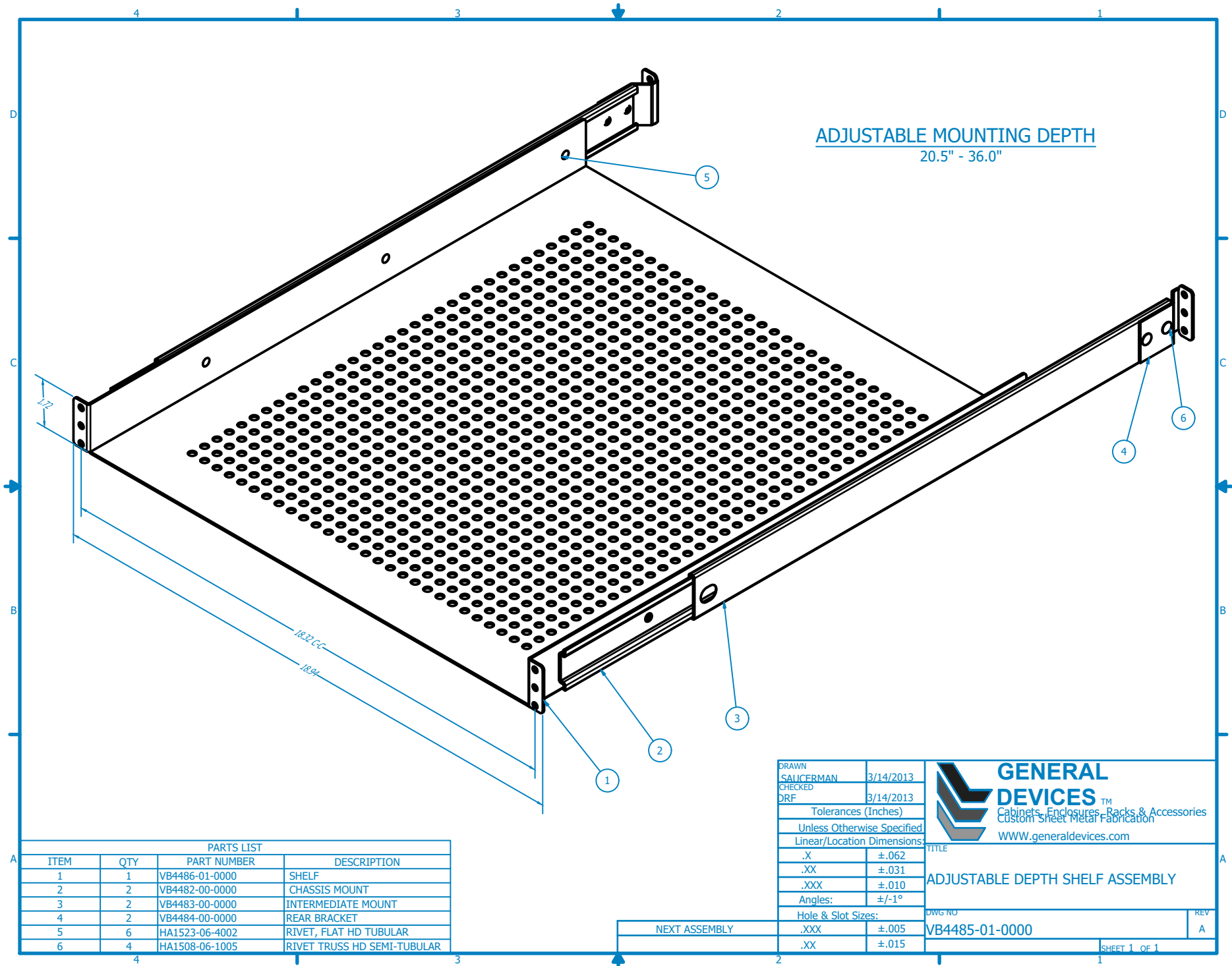
DRAWN	SAIJERMAN	3/14/2013
CHECKED	DRF	3/14/2013
Tolerances (Inches)		
Unless Otherwise Specified		
Linear/Location Dimensions:		
.X	±.062	
.XX	±.031	
.XXX	±.010	
Angles:	±/-1°	
Hole & Slot Sizes:		
.XXX	±.005	
.XX	±.015	



**GENERAL DEVICES™**  
Cabinets, Enclosures, Racks & Accessories  
Custom Sheet Metal Fabrication  
www.generaldevices.com

TITLE		ADJUSTABLE DEPTH SHELF ASSEMBLY
DWG NO	VB4485-00-0000	REV A
NEXT ASSEMBLY		SHEET 1 OF 1

PARTS LIST			
ITEM	QTY	PART NUMBER	DESCRIPTION
1	1	VB4486-00-0000	SHELF
2	2	VB4482-00-0000	CHASSIS MOUNT
3	2	VB4483-00-0000	INTERMEDIATE MOUNT
4	2	VB4484-00-0000	REAR BRACKET
5	6	HA1523-06-4002	RIVET, FLAT HD TUBULAR
6	4	HA1508-06-1005	RIVET TRUSS HD SEMI-TUBULAR



**ADJUSTABLE MOUNTING DEPTH**  
20.5" - 36.0"

DRAWN	SAIJCERMAN	3/14/2013
CHECKED	DRF	3/14/2013
Tolerances (Inches)		
Unless Otherwise Specified		
Linear/Location Dimensions:		
.X	±.062	
.XX	±.031	
.XXX	±.010	
Angles:	±/-1°	
Hole & Slot Sizes:		
.XXX	±.005	
.XX	±.015	



**GENERAL DEVICES**<sup>TM</sup>  
Cabinets, Enclosures, Racks & Accessories  
Custom Sheet Metal Fabrication  
www.generaldevices.com

TITLE  
**ADJUSTABLE DEPTH SHELF ASSEMBLY**

DWG NO  
**VB4485-01-0000**

REV  
**A**

PARTS LIST			
ITEM	QTY	PART NUMBER	DESCRIPTION
1	1	VB4486-01-0000	SHELF
2	2	VB4482-00-0000	CHASSIS MOUNT
3	2	VB4483-00-0000	INTERMEDIATE MOUNT
4	2	VB4484-00-0000	REAR BRACKET
5	6	HA1523-06-4002	RIVET, FLAT HD TUBULAR
6	4	HA1508-06-1005	RIVET TRUSS HD SEMI-TUBULAR

NEXT ASSEMBLY