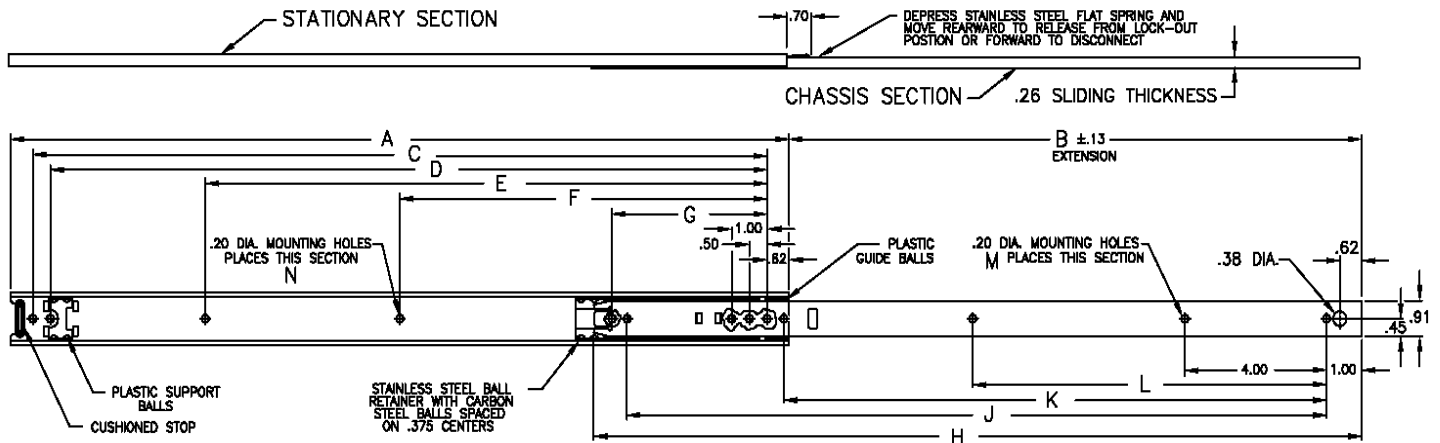


CLB-203 Slide



(3/4) Extension Slide With Quick Disconnect



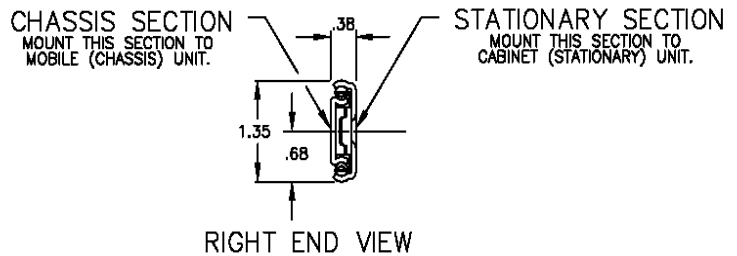
TO ORDER, SPECIFY

CLB-203 - - -

Length (Dim. A)

AR - Automatic Release
(non-locking)

Cabinet mounting selection if required.
Enter CM and # of appropriate bracket.
See page 48 for details on brackets available



Notes

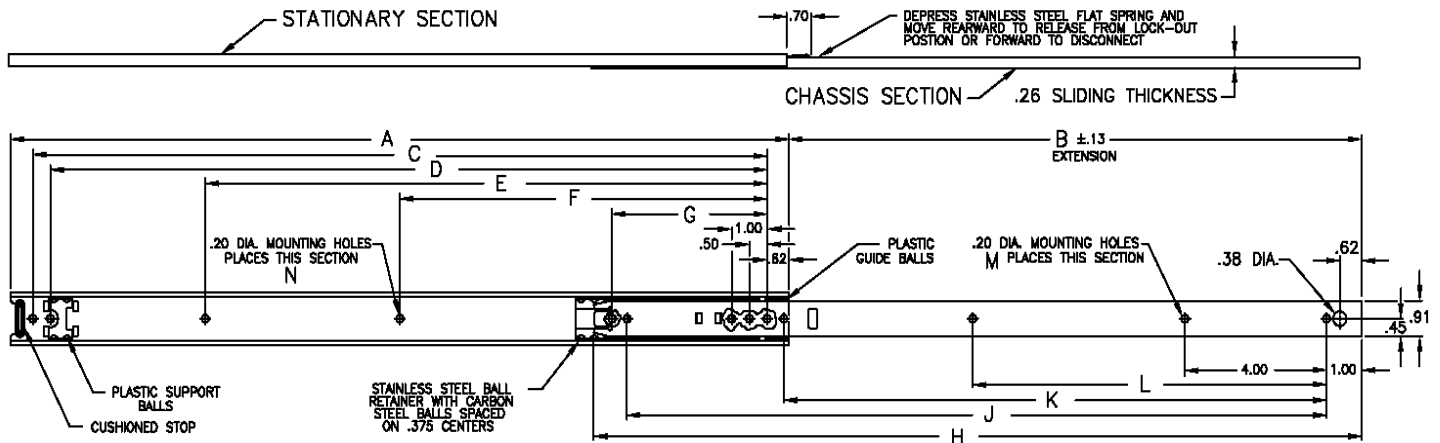
- CLB-203 consists of one set of two non-handed slides.
- All slides are supplied with special (.094" max. head height) #8-32x3/8 Phillips pan head screws and self-locking nuts for mounting one set of slides. Use only these special screws when mounting through slide member to prevent internal damage to ball retainer. If mounting to cabinet rails, see cabinet mounting section for ball bearing slides.
- CLB-203 has a front disconnect feature and locks at full extension. For non-locking, see "order" chart.
- Slide members are made from 14 gauge (.074) work hardened cold rolled steel.
- Finish: clear zinc commercial plating.
- Holes other than those shown may be in part at manufacture's option.
- Load capacity is based on one set of slides at full extension with load (center of gravity) centered between the slides and at midpoint of the slide (chassis section). Load capacities have a 100% (static load) safety factor at full extension. The slides will support more than the stated capacities but are not designed to be operated at capacities greater than those stated.
- Grease applied to ball bearing slides has a temperature range of -45°F to +350°F, however, due to the use of plastic guide and support balls, the slide is designed for applications not exceeding 150°F ambient temperature.
- Odd length slides available - see next page for dimensions, contact factory for more information.
- Other non-standard options which are available include: special marking, special extensions, special finishes, lock-in and complete design changes per customer request. Contact factory as these options will require a special reference number to assure receipt of specified options.

Catalog Number	A	B	C	D	E	F	G	H	J	K	L	M	N	Load Capacity
CLB-203-10	10.0	7.0	8.75	8.25	3.875	OMIT	OMIT	9.62	8.0	OMIT	OMIT	3	6	145 LBS.
CLB-203-12	12.0	9.0	10.75	10.25	5.875	OMIT	4.375	11.62	10.0	6.0	OMIT	4	7	140 LBS.
CLB-203-14	14.0	11.0	12.75	12.25	7.875	OMIT	4.375	13.62	12.0	8.0	OMIT	4	7	130 LBS.
CLB-203-16	16.0	12.0	14.75	14.25	9.875	OMIT	4.375	15.62	14.0	10.0	OMIT	4	7	120 LBS.
CLB-203-18	18.0	13.0	16.75	16.25	11.875	8.365	4.375	17.62	16.0	OMIT	8.0	4	8	110 LBS.
CLB-203-20	20.0	15.0	18.75	18.25	13.875	9.375	4.375	19.62	18.0	OMIT	9.0	4	8	95 LBS.
CLB-203-22	22.0	16.0	20.75	20.25	15.875	10.375	4.375	21.62	20.0	16.0	10.0	5	8	85 LBS.
CLB-203-24	24.0	17.0	22.75	22.25	17.875	11.375	4.375	23.62	22.0	18.0	11.0	5	8	80 LBS.
CLB-203-26	26.0	19.0	24.75	24.25	19.875	12.375	4.375	25.62	24.0	20.0	12.0	5	8	70 LBS.
CLB-203-28	28.0	20.0	26.75	26.25	21.875	13.375	4.375	27.62	26.0	22.0	13.0	5	8	60 LBS.
CLB-203-30	30.0	21.0	28.75	28.25	23.875	14.375	4.375	29.62	28.0	24.0	14.0	5	8	50 LBS.

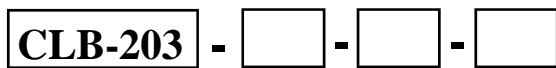
CLB-203 Slide



(3/4) Extension Slide With Quick Disconnect



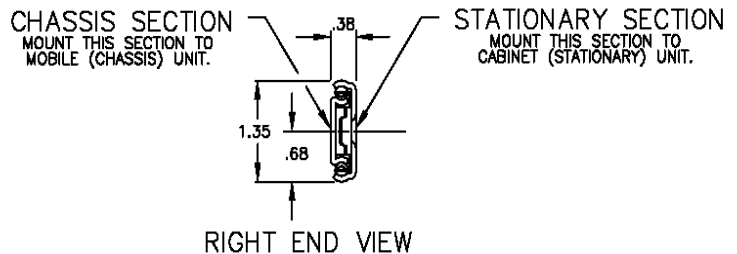
TO ORDER, SPECIFY



Length (Dim. A)

AR - Automatic Release (non-locking)

Cabinet mounting selection if required.
Enter CM and # of appropriate bracket.
See page 48 for details on brackets available



RIGHT END VIEW

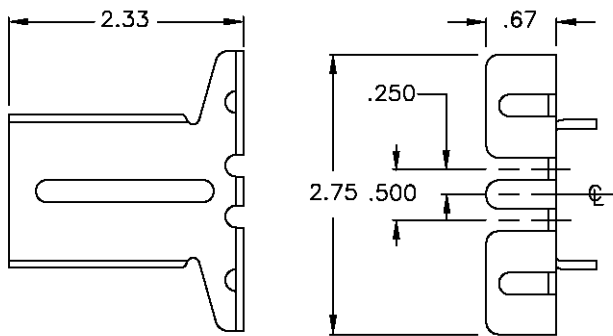
Slide Chart
Including Odd Lengths
*Web Only

Catalog Number	A	B	C	D	E	F	G	H	J	K	L	M	N	Load Capacity
CLB-203-10	10.0	7.0	8.75	8.25	3.875	OMIT	OMIT	9.62	8.0	OMIT	OMIT	3	6	145 LBS.
CLB-203-11	11.0	8.0	9.75	9.25	4.875	OMIT	4.375	10.62	9.0	5.0	OMIT	4	7	143 LBS.
CLB-203-12	12.0	9.0	10.75	10.25	5.875	OMIT	4.375	11.62	10.0	6.0	OMIT	4	7	140 LBS.
CLB-203-13	13.0	10.0	11.75	11.25	6.875	OMIT	4.375	12.62	11.0	7.0	OMIT	4	7	135 LBS.
CLB-203-14	14.0	11.0	12.75	12.25	7.875	OMIT	4.375	13.62	12.0	8.0	OMIT	4	7	130 LBS.
CLB-203-15	15.0	11.0	13.75	13.25	8.875	OMIT	4.375	14.62	13.0	9.0	OMIT	4	7	125 LBS.
CLB-203-16	16.0	12.0	14.75	14.25	9.875	OMIT	4.375	15.62	14.0	10.0	OMIT	4	7	120 LBS.
CLB-203-17	17.0	13.0	15.75	15.25	10.875	OMIT	4.375	16.62	15.0	11.0	OMIT	4	7	115 LBS.
CLB-203-18	18.0	13.0	16.75	16.25	11.875	8.365	4.375	17.62	16.0	OMIT	8.0	4	8	110 LBS.
CLB-203-19	19.0	14.0	17.75	17.25	12.875	8.875	4.375	18.62	17.0	OMIT	8.5	4	8	105 LBS.
CLB-203-20	20.0	15.0	18.75	18.25	13.875	9.375	4.375	19.62	18.0	OMIT	9.0	4	8	95 LBS.
CLB-203-21	21.0	16.0	19.75	19.25	14.875	9.875	4.375	20.62	19.0	OMIT	9.5	4	8	90 LBS.
CLB-203-22	22.0	16.0	20.75	20.25	15.875	10.375	4.375	21.62	20.0	16.0	10.0	5	8	85 LBS.
CLB-203-23	23.0	17.0	21.75	21.25	16.875	10.875	4.375	22.62	21.0	17.0	10.5	5	8	80 LBS.
CLB-203-24	24.0	17.0	22.75	22.25	17.875	11.375	4.375	23.62	22.0	18.0	11.0	5	8	80 LBS.
CLB-203-25	25.0	18.0	23.75	23.25	18.875	11.875	4.375	24.62	23.0	19.0	11.5	5	8	75 LBS.
CLB-203-26	26.0	19.0	24.75	24.25	19.875	12.375	4.375	25.62	24.0	20.0	12.0	5	8	70 LBS.
CLB-203-27	27.0	19.0	25.75	25.25	20.875	12.875	4.375	26.62	25.0	21.0	12.5	5	8	65 LBS.
CLB-203-28	28.0	20.0	26.75	26.25	21.875	13.375	4.375	27.62	26.0	22.0	13.0	5	8	60 LBS.
CLB-203-29	29.0	21.0	27.75	27.25	22.875	13.875	4.375	28.62	27.0	23.0	13.5	5	8	55 LBS.
CLB-203-30	30.0	21.0	28.75	28.25	23.875	14.375	4.375	29.62	28.0	24.0	14.0	5	8	50 LBS.

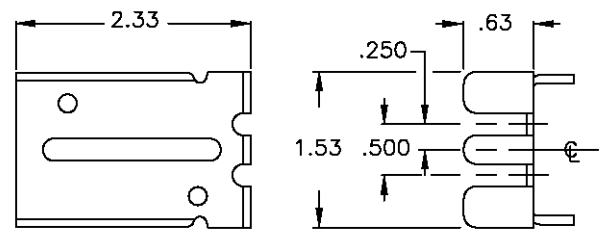
Ball Bearing Slide Mounting Brackets

Matrix For Ball Bearing Slides & Appropriate Cabinet Mounting Brackets with Maximum Extension												
	CM1/Ext.	CM2/Ext.	CM3/Ext.	CM4/Ext.	CM5/Ext.	CM6/Ext.	CM7/Ext.	CM8/Ext.	CM9/Ext.	CM11/Ext.	CM12/Ext.	CM14/Ext.
LBS-11	●/1.00	●/1.00	●/3.16	●/6.16	●/1.00	●/2.40						●/6.16
LBS-12	●/1.00	●/1.00	●/3.16	●/6.16	●/1.00	●/2.40						●/6.16
LBS-O	●/1.00	●/1.00	●/3.16	●/6.16	●/1.00	●/2.40						●/6.16
LBS-21									●/1.45			
LBS-22									●/1.45			
LBS-32											●/1.45	
CLB-203	●/1.36	●/1.36	●/3.53	●/6.53	●/1.36	●/2.77						●/6.16
CLB-223										●/1.19		
CLB-305							●/1.77	●/1.77				
CLB-307	●/1.36	●/1.36	●/3.53	●/6.53	●/1.36	●/2.77						●/6.16
CLB-315	●/1.00	●/1.00	●/3.16	●/6.16	●/1.00	●/2.40						●/6.16

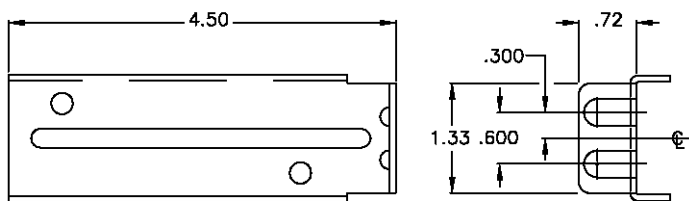
CM 1



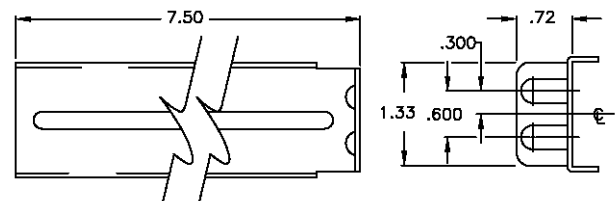
CM 2



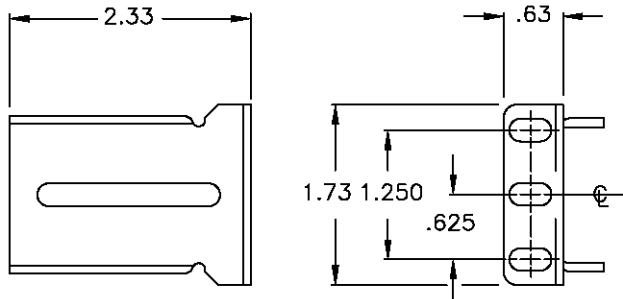
CM 3



CM 4

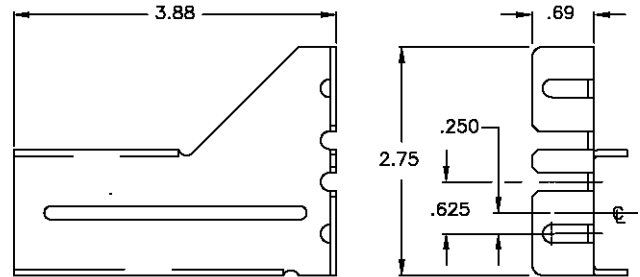


CM 5

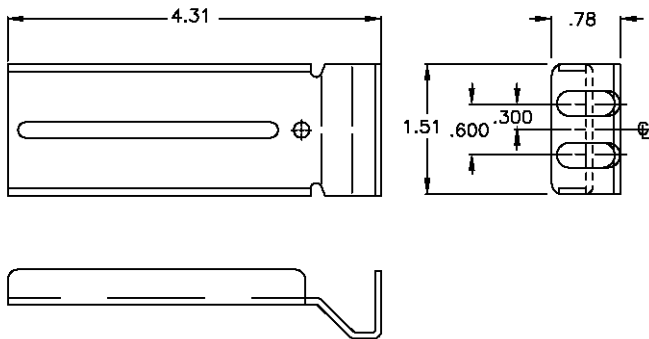


CM 6

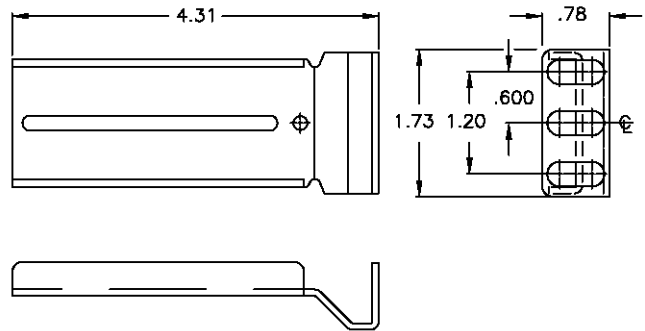
SUPPLIED IN PAIRS (RIGHT HAND AND LEFT HAND)



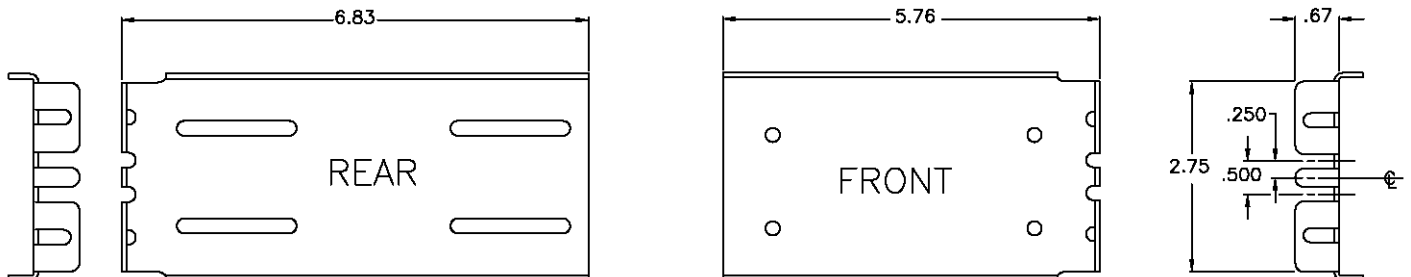
CM 7



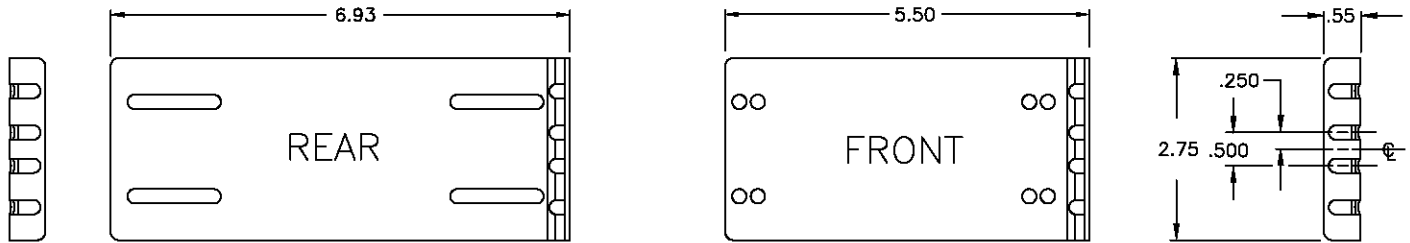
CM 8



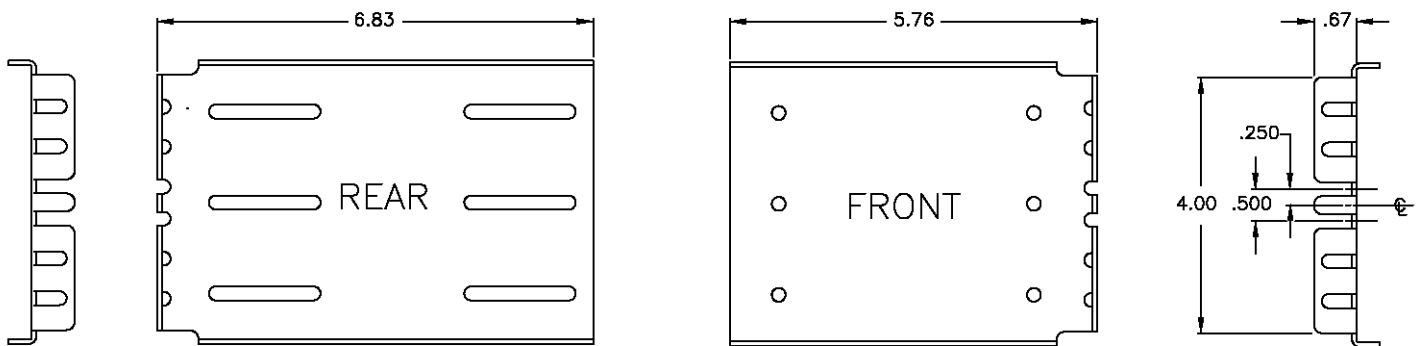
CM 9



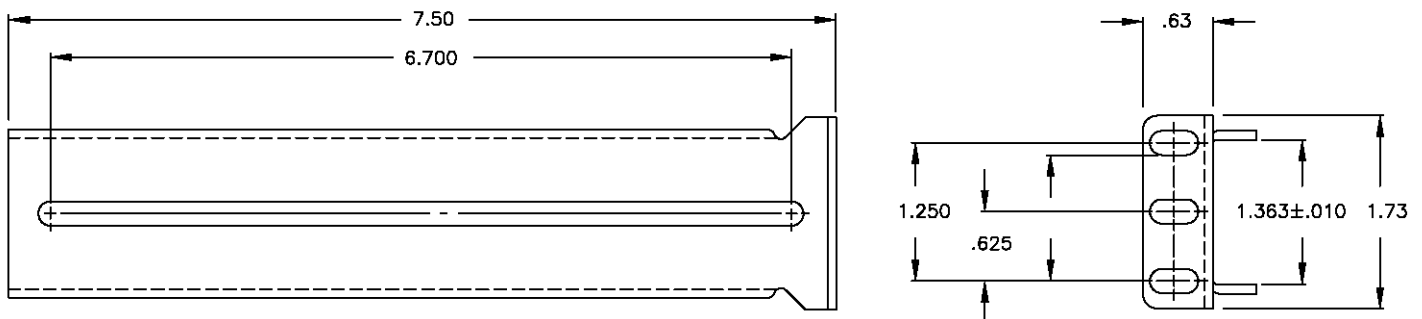
CM 11



CM 12



CM 14



- A CM14 bracket kit consists of two CM5 brackets for the front of the slide and two CM14 brackets for adjustable mounting at the rear of the slide.